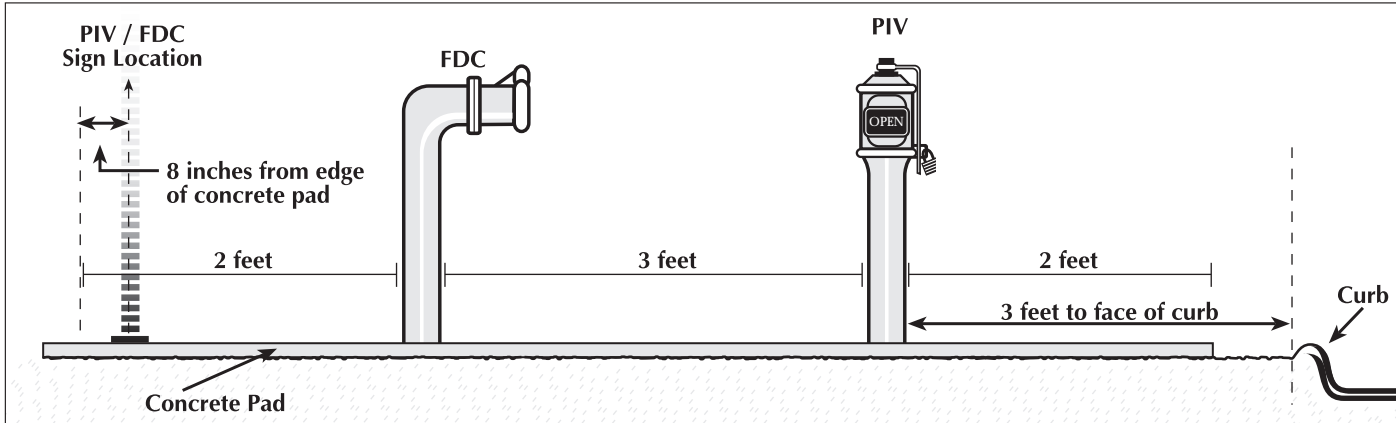
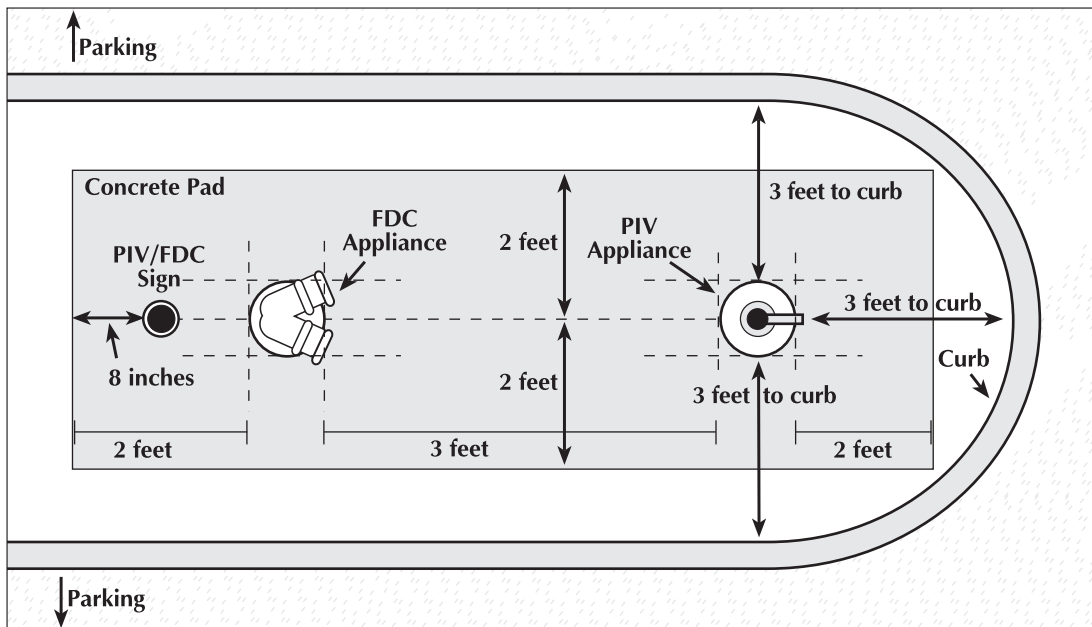




Concrete Pad PIV/FDC Detail



SIDE VIEW



TOP VIEW

PIV/FDC Specifications

1. Measurements MUST be exact and will be subject to a field inspection
2. Fire Department appliances shall be no closer than 3 feet to the face of the curb
3. Concrete pad must be a minimum of 4 inches thick
4. A blue reflective marker must be in place to identify PIV/FDC location